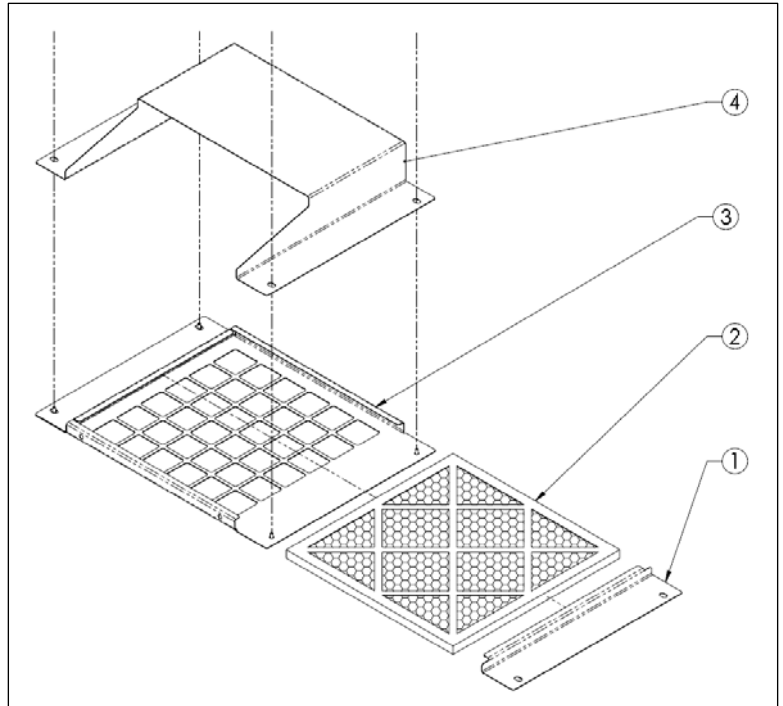


ASSEMBLY INSTRUCTIONS

1. Install the 4 Leg Levers (Item 5) into the bottom of the cabinet. NOTE: the optional Caster Kit (Sold separately) may be used to replace the Leg Levers.
2. Remove the protective wrapper from Dust Filter (Item 2).
3. Slide the Dust Filter (Item 2) into the Filter Tray (Item 3).

NOTE: BE SURE THAT THE METAL WIRE MESH ON FILTER IS ORIENTED TOWARDS THE INSIDE OF THE CABINET.

4. The Filter Lock (Item 1) may be put into place. The 4 thumb-screws will hold everything together once installed on to the cabinet.

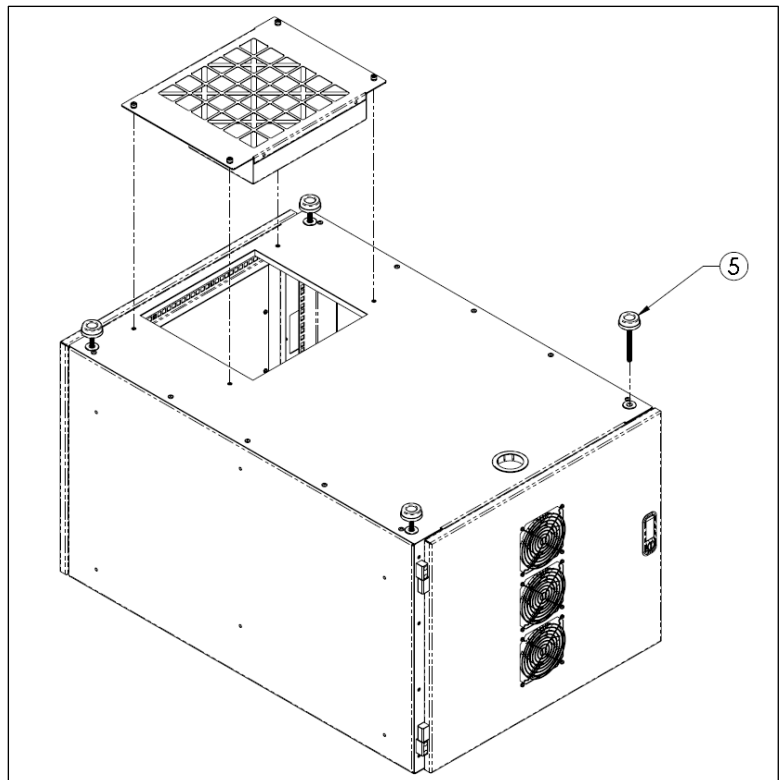


5. If the Filter Hood (Item 4) is to be used, then it may be put into place as well. Again, the 4 thumb-screws will hold everything together once installed on to the cabinet.
6. Install the Filter Assembly on to the cabinet using the 4 thumb-screws.

NOTE: IT IS BEST TO INSTALL THE OPENING OF THE HOOD TOWARDS THE FRONT OF THE CABINET TO INSURE COOLER AIR IS DIRECTED TOWARDS THE FRONT OF THE INSTALLED EQUIPMENT.

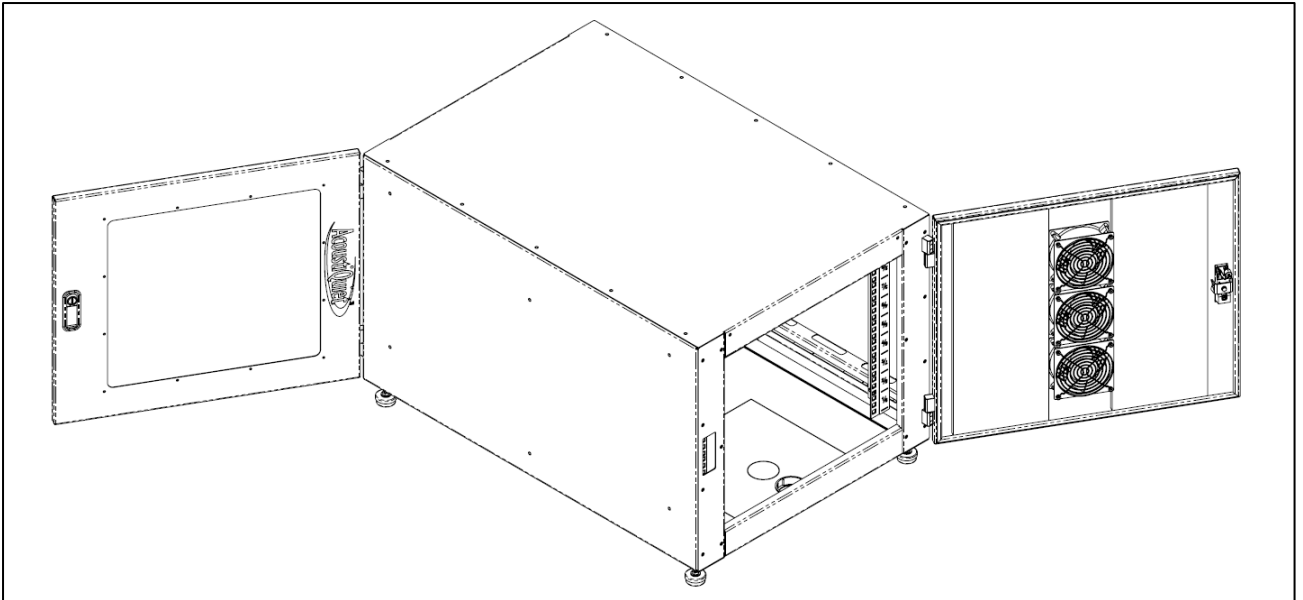
7. You may adjust the rail positions as required. Simply loosen the 2 installed 1/4-20 bolts located on each rail. You may then slide each rail to a new position and retighten each bolt.

NOTE: WHEN PLACING RAILS, IT IS RECOMMENDED TO LEAVE AN AIR GAP TOWARDS THE FRONT OF YOUR EQUIPMENT. THIS IS ESPECIALLY TRUE WHEN YOUR EQUIPMENT DRAWS AIR FROM THEIR FRONT PANELS.



8. **WARNING!!! DO NOT PLUG THE FAN CORD SET INTO AN AC WALL RECEPTACLE UNTIL YOU HAVE COMPLETED THIS STEP!**

Install the Fan Cord Set by simply pressing the cord connectors onto the open terminal on each fan (located on the Rear Door). The connector direction does not matter. However, be sure each plug is fully seated to each fan.



9. Install your equipment and dress wiring as needed. A foam plug (not shown) has been provided to help seal the cable entry on the bottom of the cabinet.

DOOR HINGE REVERSAL INSTRUCTIONS

1. Unlock and open the door that requires hinge-reversal. Both doors may be reversed using this procedure.
2. Using a #2 Philips-Drive Screw Driver, remove a quantity of 14 Flat-Head 6-32 Screws from the cabinet facing underneath the door face.
3. At this point, the panels, that hold the door and door catch, are free from the cabinet. They may be switched to the opposite side in order to flip the door and hinge position.
4. Reinstall all 14 Flat-Head 6-32 Screws.

BOTTOM REMOVAL INSTRUCTIONS

1. If removal of the Cabinet Bottom is required for special wiring or equipment loading, the doors must be removed. This is a security feature.
2. Unlock and open the door.

3. Using a #2 Philips-Drive Screw Driver, remove a quantity of 14 Flat-Head 6-32 Screws from the cabinet facing underneath the door. At this point, the panels, that hold the door and door catch, are free from the cabinet and may be removed.
4. Do the same for the opposite door.
5. Using a #2 Philips-Drive Screw Driver, remove a quantity of 20 Pan-Head 10-32 Screws located on the bottom of the cabinet.
6. The Cabinet Bottom may be removed at this time.
7. Once complete, the cabinet may be reassembled in the reverse order.

