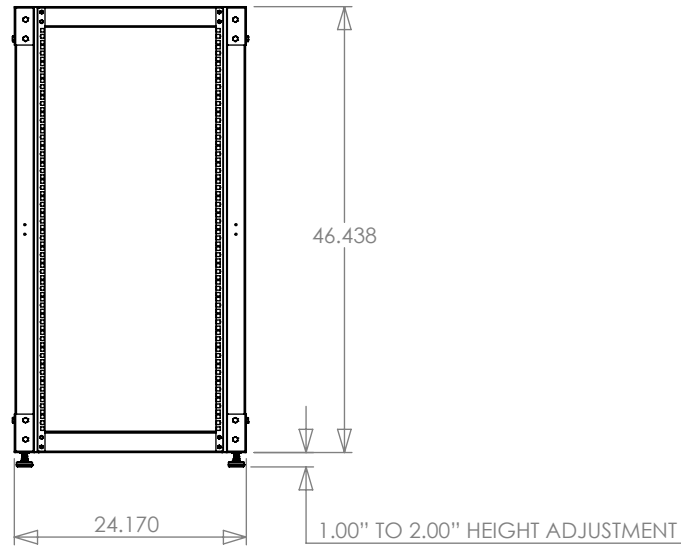
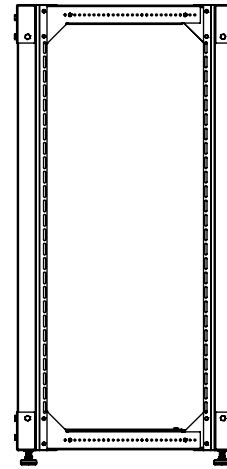


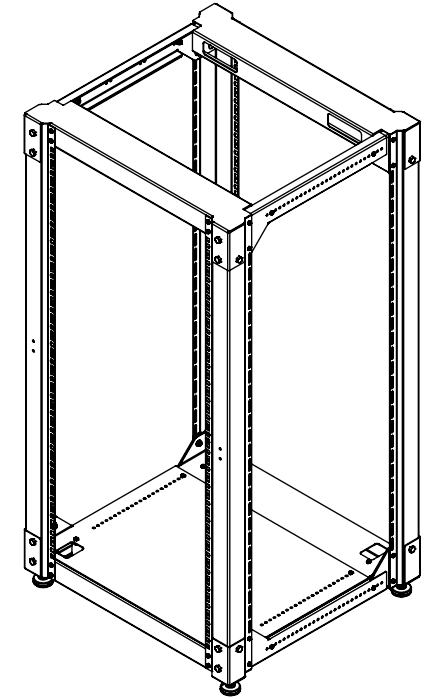
TOP



FRONT



RIGHT



PROPRIETARY AND CONFIDENTIAL
THE INFORMATION CONTAINED IN THIS
DRAWING IS THE SOLE PROPERTY OF
RACKMOUNT SOLUTIONS. ANY
REPRODUCTION IN PART OR AS A WHOLE
WITHOUT THE WRITTEN PERMISSION OF
RACKMOUNT SOLUTIONS IS STRICTLY PROHIBITED.

| | |
|-----------------|---------|
| ASSEMBLY | |
| NEXT ASSY | USED ON |
| APPLICATION | |

UNLESS OTHERWISE SPECIFIED:
DIMENSIONS ARE IN INCHES
TOLERANCES:
FRACTIONAL $\pm 1/8$
ANGULAR: BEND ± 1 DEGREE
TWO PLACE DECIMAL $\pm .03$
THREE PLACE DECIMAL $\pm .01$

Surface Area
MATERIAL
SEE BOM
FINISH
NA

DO NOT SCALE DRAWING

| | NAME | DATE |
|-----------|------|-----------|
| DRAWN | krh | 3/14/2012 |
| CHECKED | mjj | 6/12/2012 |
| ENG APPR. | djc | 6/12/2012 |
| MFG APPR. | | |
| Q.A. | | |
| COMMENTS: | | |



TITLE:
24U Adjustable 4-Post Rack

| | | |
|------------------|------------------------------------|-----------------|
| SIZE A | DWG. NO. RS-4POSTRACK-24 | REV - |
|------------------|------------------------------------|-----------------|

SCALE: 1:16 WEIGHT: SHEET 1 OF 1