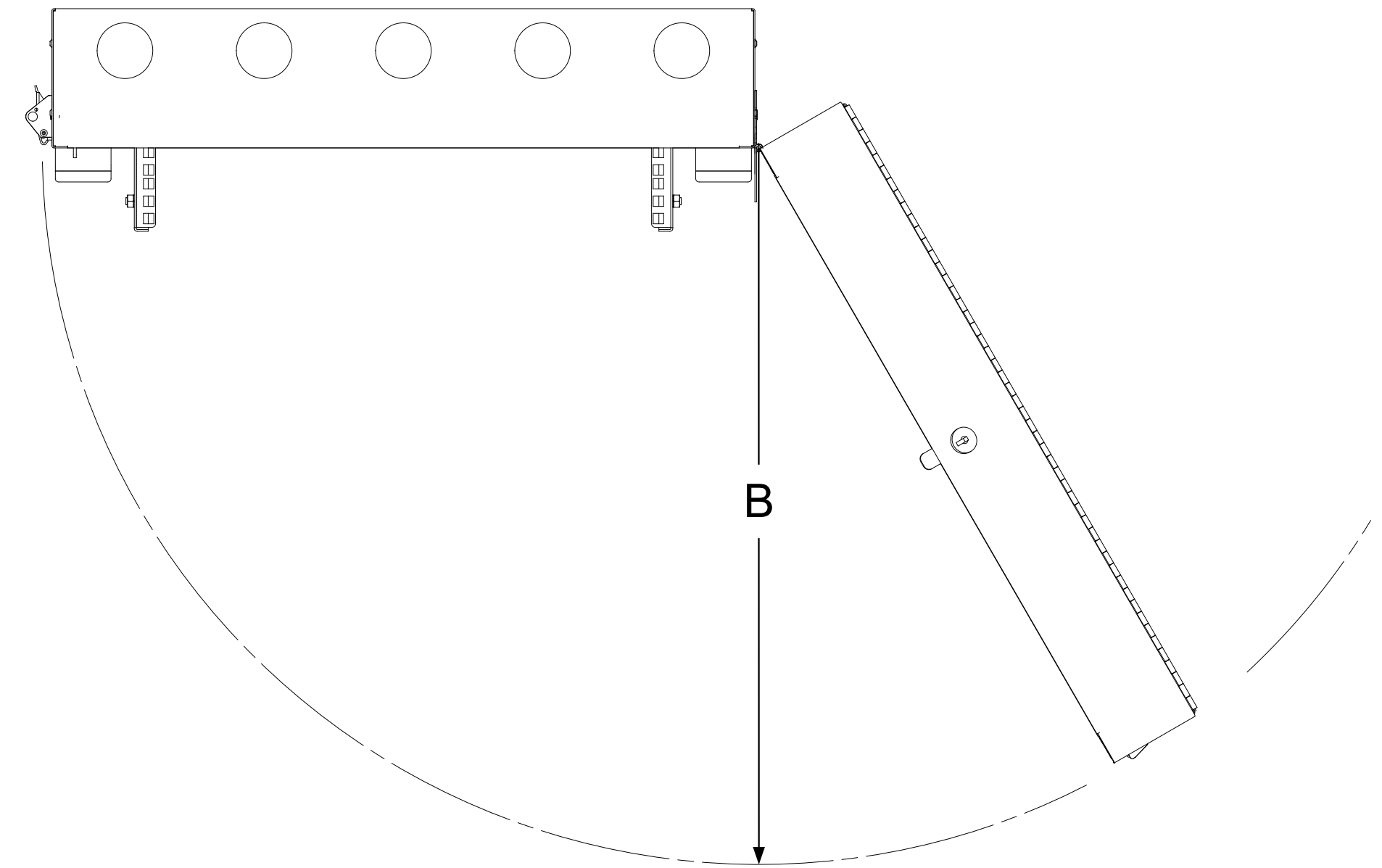
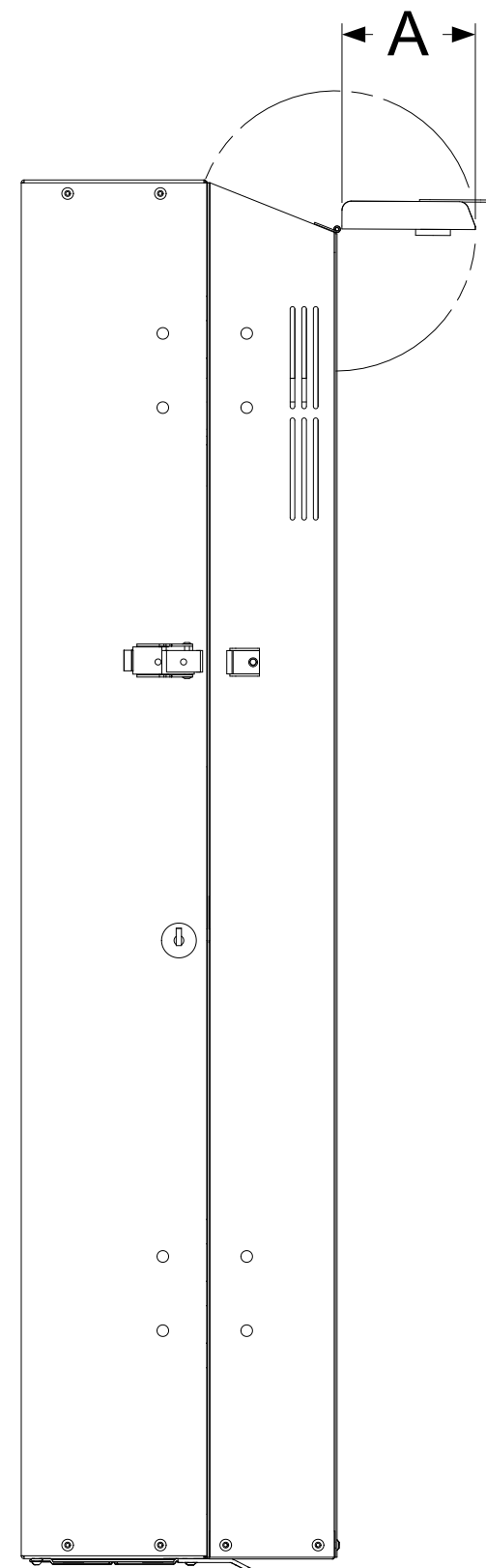


TOP VIEW

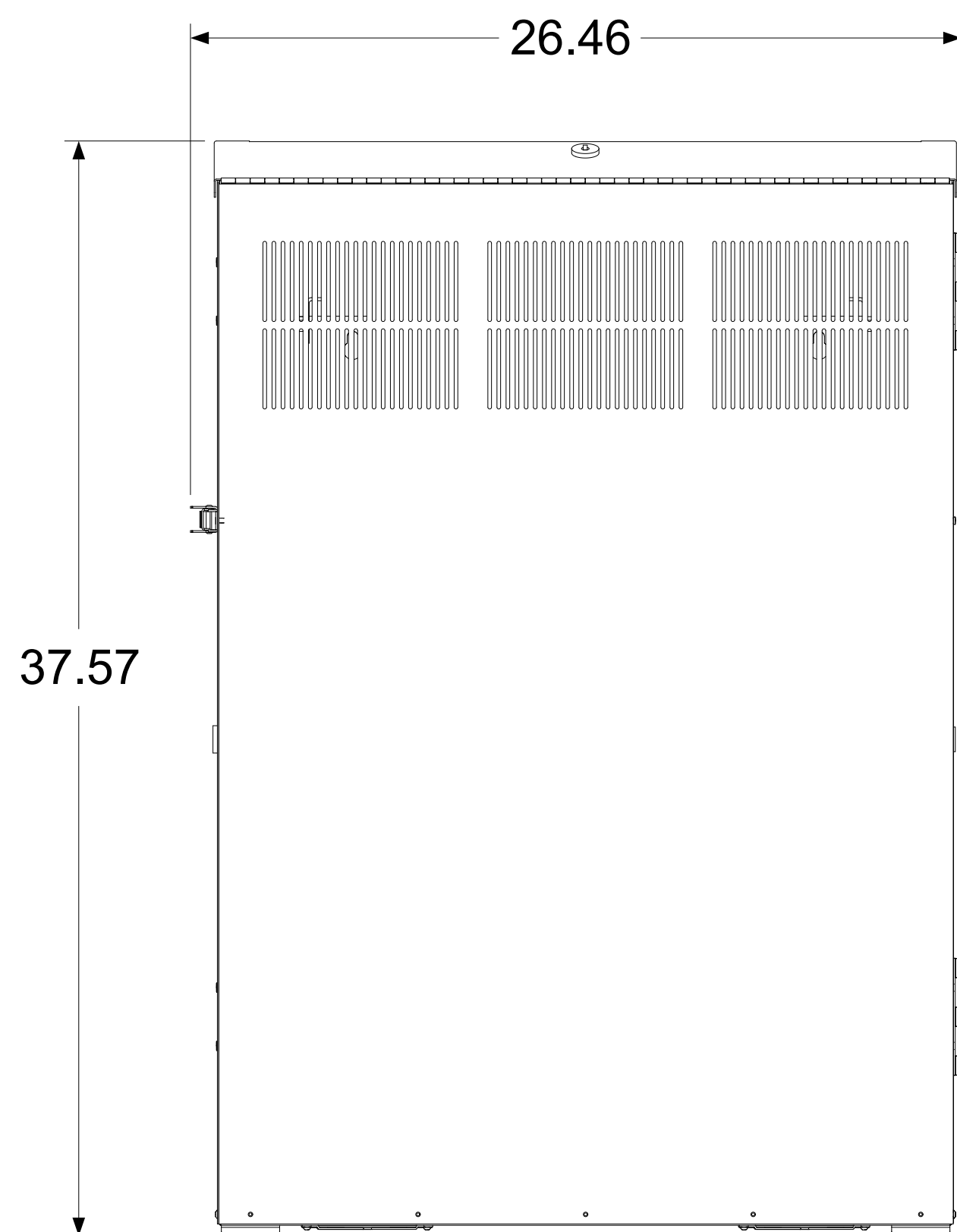
.87 AND 1.87
ELECTRICAL KNOCKOUTS
5 PLACES



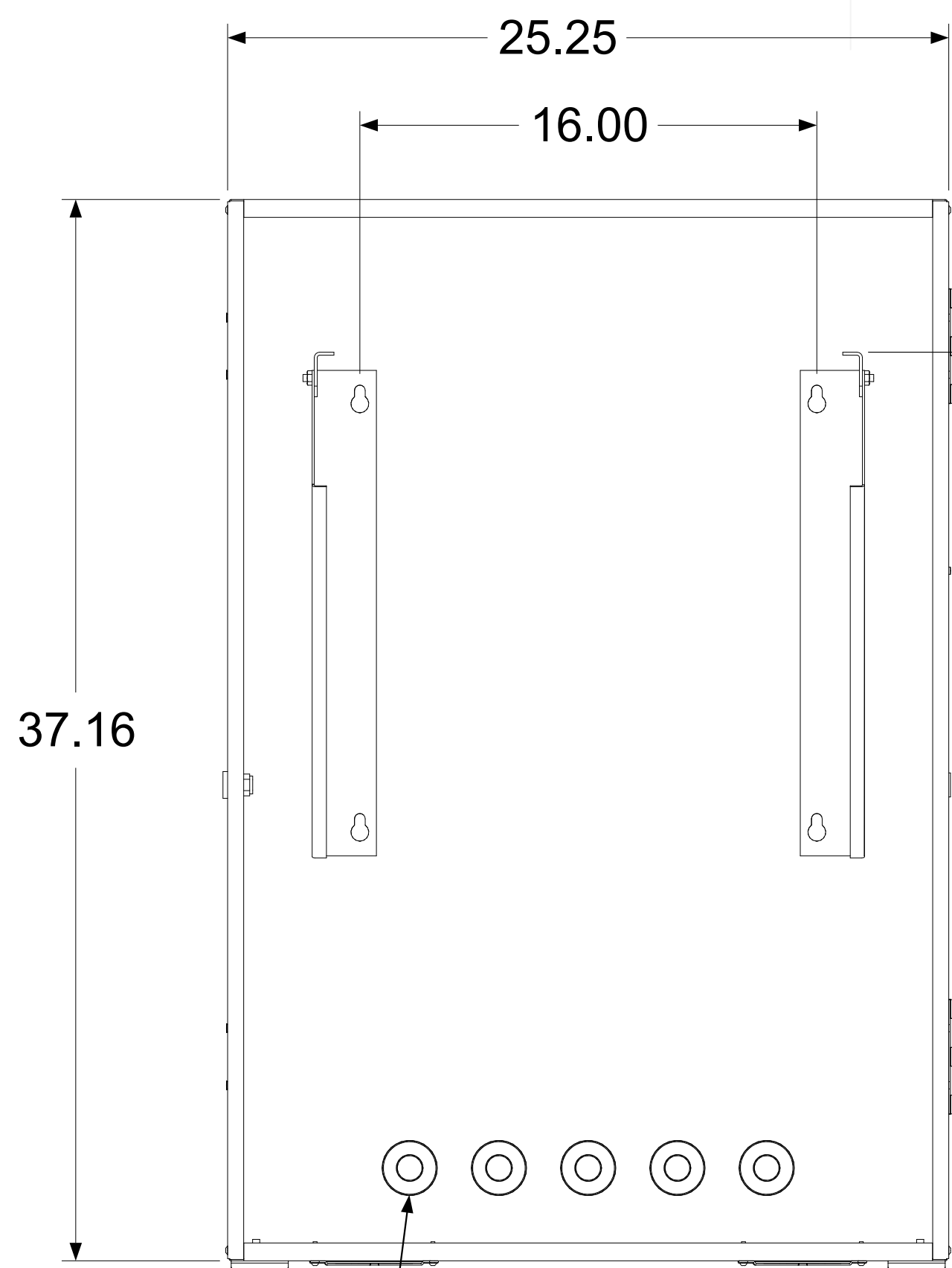
FRONT COVER SWING IS REVERSIBLE
TOP VIEW



SIDE VIEW



FRONT VIEW

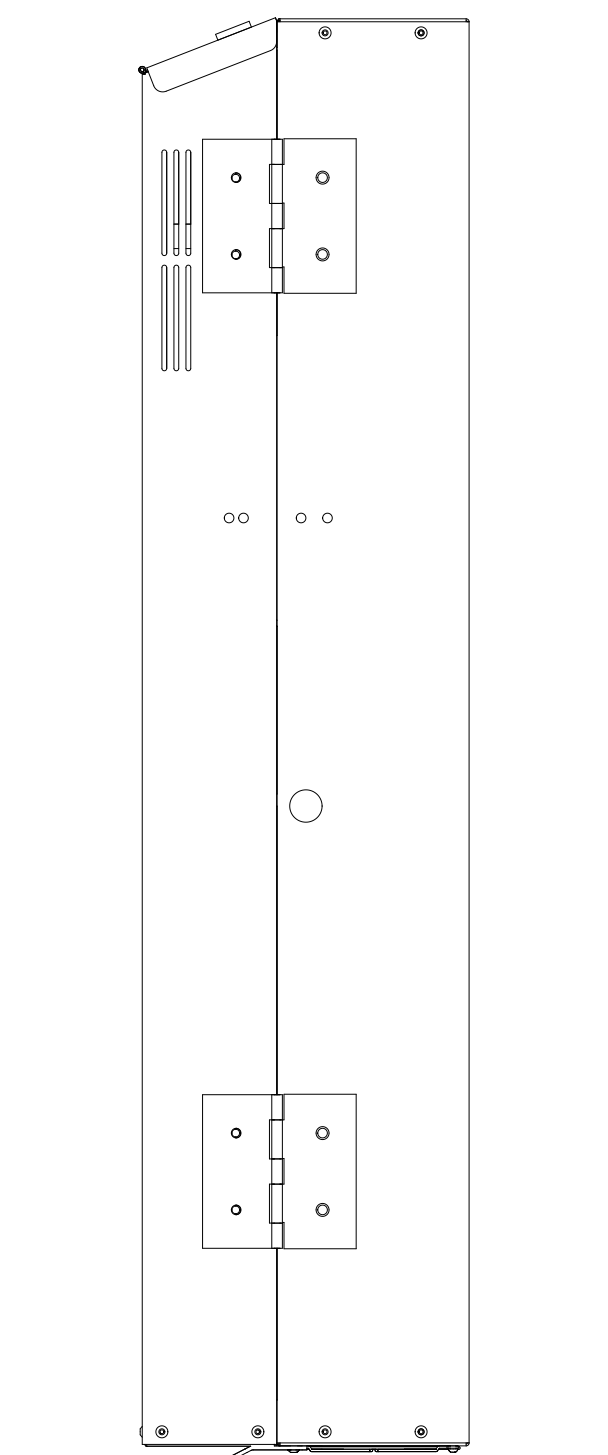


FRONT VIEW
BACKPAN

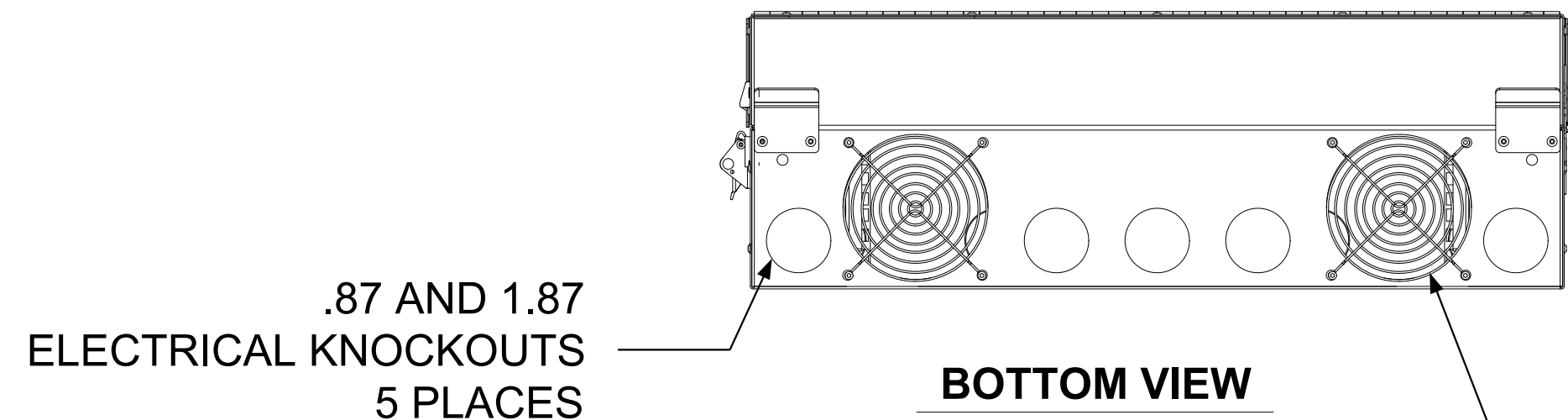
.87 AND 1.87
ELECTRICAL KNOCKOUTS
5 PLACES

5.35 THRU 8.35
IN 1.00 INCREMENTS

RACKRAIL IS
ADJUSTABLE FROM
31.82 THRU 28.82
IN 1.00 INCREMENTS



SIDE VIEW



BOTTOM VIEW

.87 AND 1.87
ELECTRICAL KNOCKOUTS
5 PLACES

4.5 FAN MOUNTING WITH GUARDS
(FANS NOT INCLUDED)

PART #	"A"	"B"	"C"	RACKING HEIGHT/ RACK SPACES	TOP COVER	FINISH
VRP-4-30	3.73	25.73	3.50	7.0 / 4SP	LEXAN	PW OR BLACK
VRP-6-30	7.47	26.42	7.00	10.5 / 6SP	LEXAN	PW OR BLACK
VRP-8-30	11.24	27.54	10.50	14 / 8SP	LEXAN	PW OR BLACK
VRS-4-30	3.73	25.73	3.50	7.0 / 4SP	SOLID STEEL	PW OR BLACK
VRS-6-30	7.47	26.42	7.00	10.5 / 6SP	SOLID STEEL	PW OR BLACK
VRS-8-30	11.24	27.54	10.50	14 / 8SP	SOLID STEEL	PW OR BLACK